

Patents Pending



7 Leg Queen size



9 Leg King and Cal King size

Assembly Instructions for the

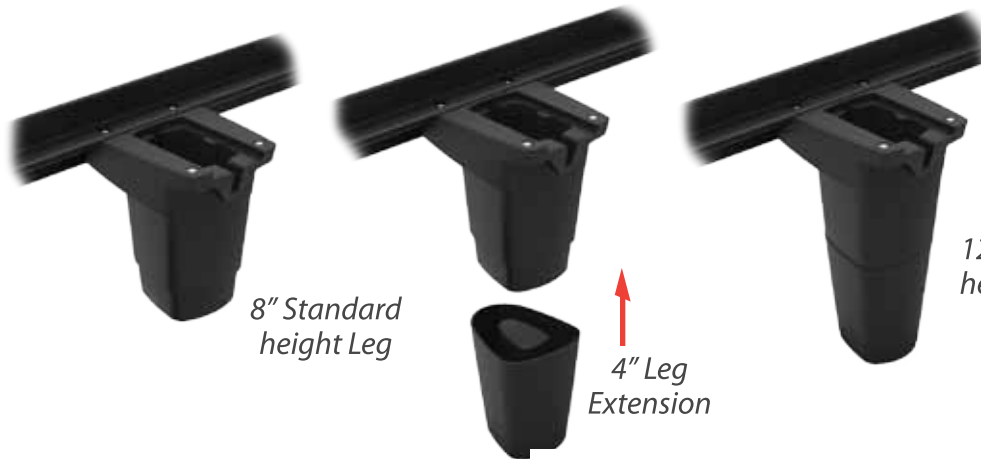
# (emBrace)<sup>360</sup> PLATFORM

for Queen, King and Cal King sized beds

by **Knickerbocker**  
BED ARCHITECTURE

## 1 Choose your bed height.

This system out of the carton will assemble to make an 8" high bed. 4" Leg extension pieces are included separately.



8" Standard height Leg

4" Leg Extension

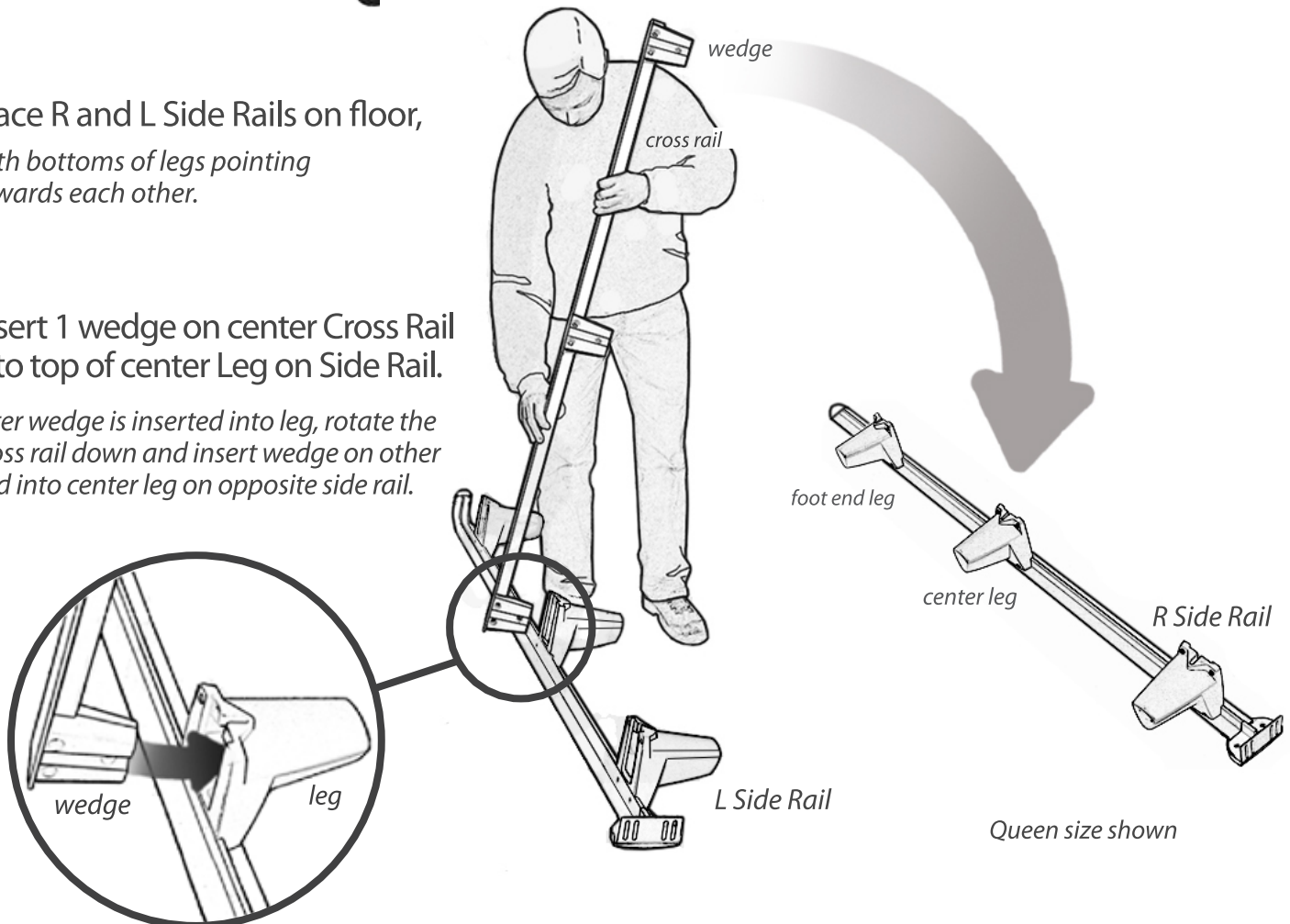
12" Raised height Leg

If a 12" high bed is desired, simply add the extension pieces to the bottoms of each of the legs.

## 2 Place R and L Side Rails on floor, with bottoms of legs pointing towards each other.

## 3 Insert 1 wedge on center Cross Rail into top of center Leg on Side Rail.

After wedge is inserted into leg, rotate the cross rail down and insert wedge on other end into center leg on opposite side rail.



Queen size shown

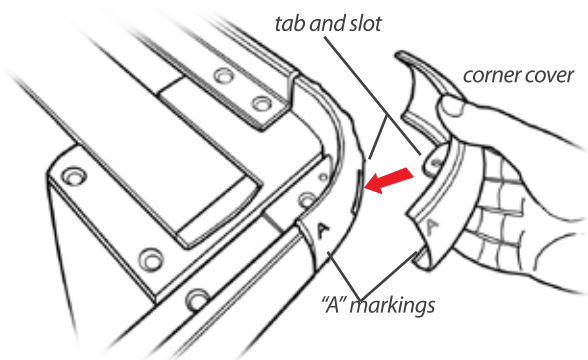
**4** Drop double beam end assembly into legs at foot end.

Insert 2 wedges on double beam foot end cross rail assembly into tops of legs as shown.



**5** Attach corner covers at foot end of frame.

Insert the tab on the corner cover into the slot on the frame corner.

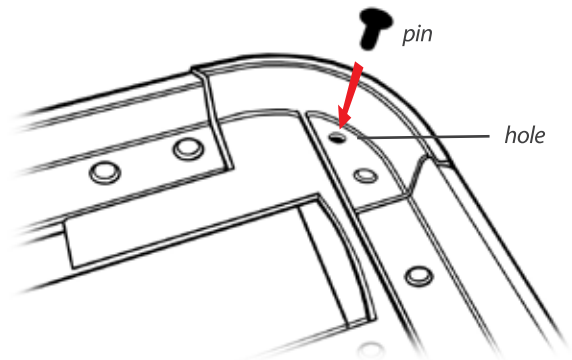


Note- match up A or B marks on frame corner to A or B marks on corner covers prior to installing.

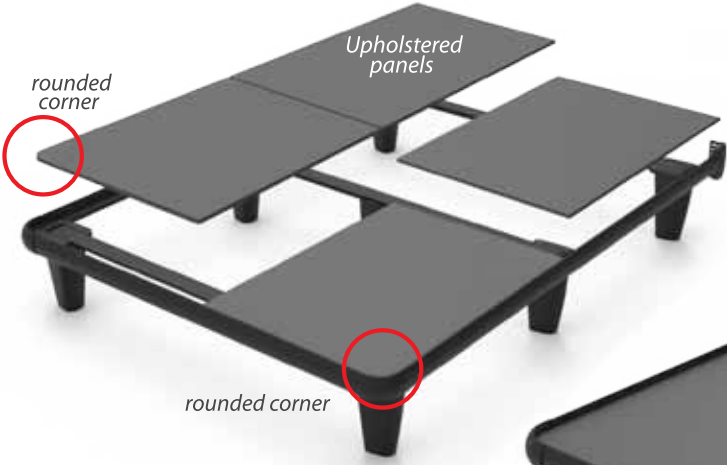
**6** Secure corner covers with black pins.

Insert pins through aligned holes at the indicated locations.

Push pins in until flush with the surface on the corner cover into the slot on the frame corner.



**7** Place 4 upholstered panels into base.



Beds will use 4 upholstered panels.

Drop each panel onto the assembled frame.



NOTE: 2 panels will have rounded corners, which locate on the foot end corners.

**emBrace Platform 360 is FULLY ASSEMBLED!**